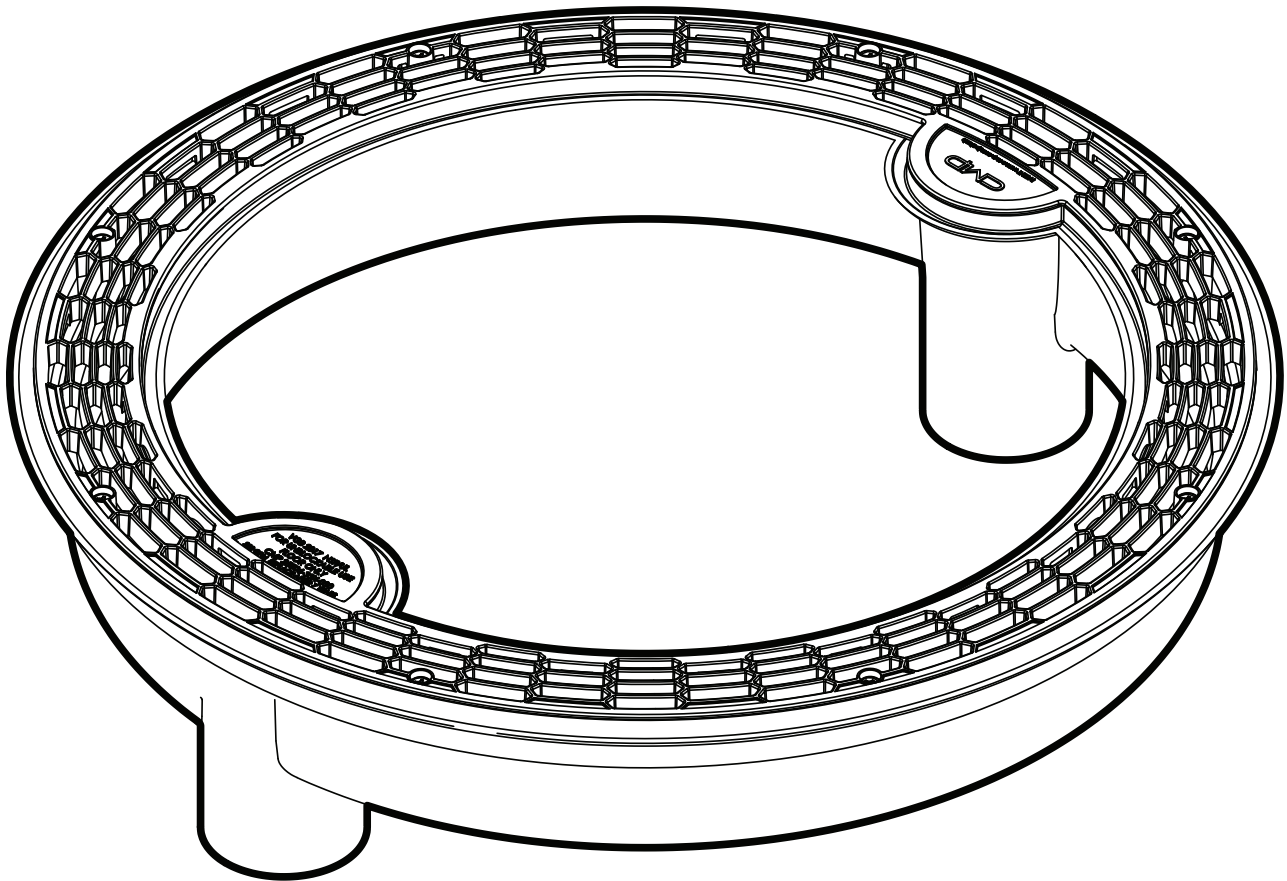




20" UNBLOCKABLE RING DRAIN

25506-33X-00



All Custom Molded Products main drains are listed and tested in strict accordance to the requirements of ANSI/APSP-16 2011, the current standard of reference for the Virginia Graeme Baker Act, and compliant to the latest Consumer Product Safety Commission (CPSC) requirements.



UL Listed VGB Suction: Compliant to ANSI/APSP-16 2011 & CPSC Requirements

Covered by one or more U.S. patents or pending patent applications. See www.c-m-p.com/patents for details.

TABLE OF CONTENTS

Please read through the entire manual before installing your new unit. Your pool drain fitting must be installed and operated as specified.

A. Safety Instructions & Precautions	3
B. Sizing & Specification Reference	4
C. Installation & Maintenance Procedures	5
1. Required for Installation.....	5
2. Installation Location	5
3. Installation Procedure	5
4. Maintenance Procedure.....	6
G. Parts List.....	8

IMAGES & TABLES IN THESE INSTRUCTIONS

<i>page 4</i>	<i>FLOW RATES</i>
<i>page 4</i>	<i>SPECIFICATIONS</i>
<i>page 4</i>	<i>HEAD LOSS CHART</i>
<i>page 6</i>	<i>INSTALLATION LOCATION</i>
<i>page 6</i>	<i>ALTERNATE PLUMBING</i>
<i>page 7</i>	<i>DIMENSIONS</i>

A. SAFETY INSTRUCTIONS & PRECAUTIONS

IMPORTANT SAFETY INSTRUCTIONS. READ AND FOLLOW ALL INSTRUCTIONS

ALWAYS PLUMB AND INSTALL ALL SUCTION FITTINGS ACCORDING TO ALL BUILDING CODES THAT APPLY IN YOUR AREA.



WARNING

When using two or more suction fittings on a common suction line, suctions must be separated by a minimum of 3 ft or they must be located on two different planes (i.e., one on floor and one on the wall).



WARNING

WARNING: DO NOT locate suction outlets on seating areas or on backrests for such seating areas.

NOTICE

Attention Installer: This manual contains important information about the installation, operation and safe use of this product. Before installing this product, read and follow all warning notices and instructions which are included. This information should be given to the owner and/or operator of this equipment.



WARNING

To reduce the risk of drowning from hair and body entrapment, install suction fittings with a marked flow rate in gallons per minute that exceeds the flow rate of your system by at least 25%. Always use multiple suction outlets. If the fitting/cover breaks, is damaged, or is missing, shut the system down immediately. Do not use the system until damaged parts have been replaced.



WARNING

Keep hair and clothing a minimum of 12 inches from all suction fittings and drains at all times. Persons with long hair should secure hair to a minimal length or wear swimming cap. Children should never be left unattended at any time in a swimming pool, spa, or bathtub. Be sure the temperature of the water never exceeds the manufacturer's recommendations.

NOTICE

To reduce the risk of injury, installation and service should be done by a qualified Pool Service Professional, certified electrician or authorized CMP representative.

NOTICE

NOTE: In the event that one suction outlet is completely blocked, the remaining suction outlet(s) serving that system **MUST** have a flow rating capable of the full flow of the pump(s) for the specific suction system.

NOTICE

Increasing size of the pump may increase flow rate of suction beyond rated safety limits causing entrapment or death.



CAUTION

Hair or body parts blocking the spa or pool suctions may become trapped and held against the suction fitting. Entrapment against the suction fittings can result in drowning or other severe injury. Never sit on or lean up against suction fittings. Never exceed the maximum allowable flow rate stated on the suction fitting. The suction fitting and fasteners should be inspected for damage or tampering before use. Missing, broken, or cracked suction fittings shall be replaced. Loose suction fittings shall be reattached or replaced before use of this facility.

SAVE THESE INSTRUCTIONS

B. SIZING & SPECIFICATION REFERENCE

TABLE 1: FLOW RATES

MAX FLOW RATE: 2.5" or 2" PLUMBING	TWO PORTS: 245.6GPM ONE PORT: 216GPM (second plugged or used as hydrostatic valve)
FLOW RATE @1.5FPS	216GPM

TABLE 2: SPECIFICATIONS

PIPE SIZE	2.5" SPIGOT / 2" SOCKET DO NOT adapt suction fitting to any pipe size smaller than ASTM 2" SCH 40 PVC.
OPEN AREA	46.27in ²
DRAIN COVER LIFE	7 Years. Replace drain cover and screws every seven years.
UNBLOCKABLE	Single or multiple drain use

- Single or multiple drain use
- PVC Sump Body. Use PVC glue to attach plumbing fittings

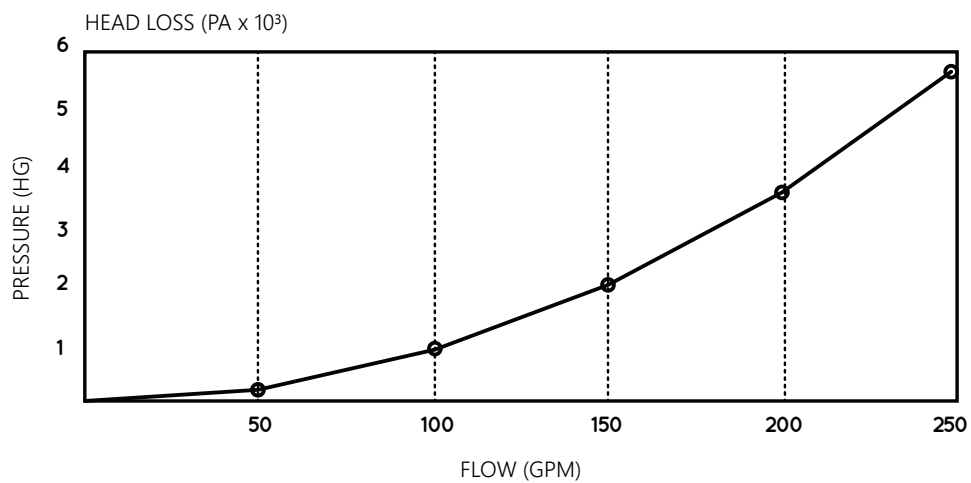


CHART 1: HEAD LOSS CHART

C. INSTALLATION & MAINTENANCE

1. REQUIRED FOR INSTALLATION

Your 20" Unblockable Ring Drain includes the following:

- Drain Sump Body
- Drain Suction Cover
- Protective Plaster Installation Cover
- Cover Screws
- 2" NPT Plugs (2)

- Optional/Not Included: Hydrostatic Relief Valve

2. INSTALLATION LOCATION

- a. This suction fitting is designed for installation on the floor of hot tubs or pools.
- b. Do not mount directly under seats.

SAFETY CHECKLIST:

- c. Suction fitting and fasteners should be observed for damage or tampering before each use.
- d. Missing, broken, or cracked suction fittings shall be replaced before use. Loose suction fittings shall be reattached or replaced before use.

3. INSTALLATION PROCEDURE

PLUMBING:

- a. Install sump in the pool/spa floor. Install in the center of the pool/spa OR the deepest point.
- b. It is only necessary to run one main suction line per drain unit
- c. There are maximum two ports available:
 - OPTION ONE: Plumb with two ports. Connect both ports to one main suction line. Plumbing to ports must be balanced.
 - OPTION TWO: Plumb with one port and **plug** the second unused port.
 - OPTION THREE: Plumb with one port and use the second port as a hydrostatic valve port.
- d. Maximum flow rates will vary depending on plumbing option chosen. See Table 1 for details.

FINISHING:

- e. **IMPORTANT!** Leave the protective cover in place until plaster installation is complete.
- f. Finish pool with gunite/shotcrete and plaster so that it is completely level with the sump body and cover. Ensure the finish is completely level. Pool finish should not exceed the top of the sump.
- g. Remove the protective cover.
- h. Attach cover/grate with the supplied screws.

C. INSTALLATION & MAINTENANCE

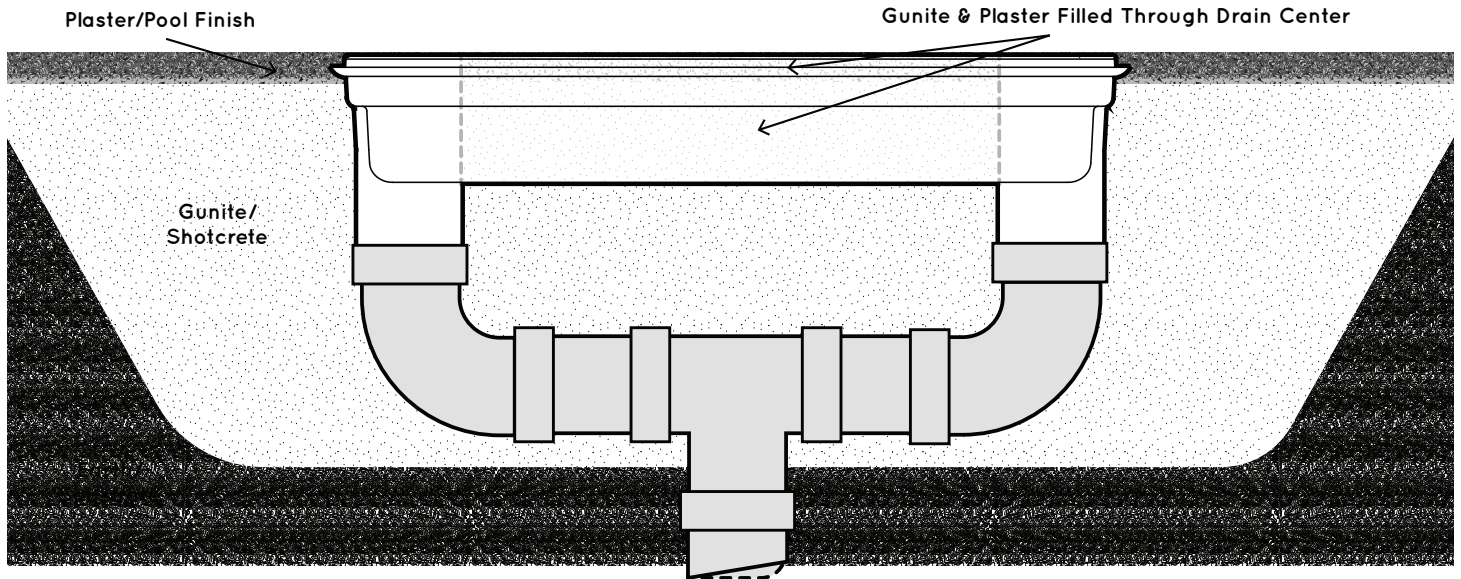


IMAGE 1 - INSTALLATION LOCATION

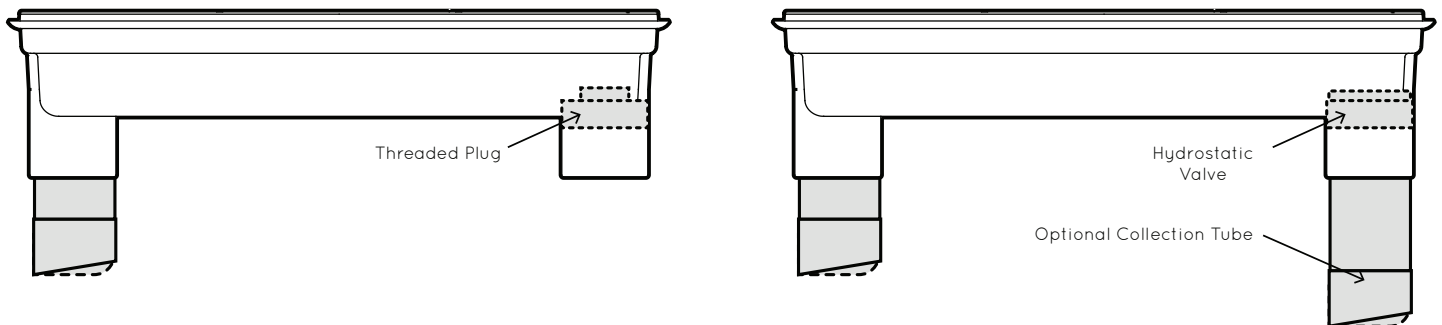


IMAGE 2 - ALTERNATE PLUMBING

2. MAINTENANCE PROCEDURE

- The cover/grate and screws should be replaced at least every seven (7) years.
- Inspect pool or spa regularly to ensure that the drain cover/grate is in place and secure.
- If the cover is found to be broken, cracked, missing, loose or missing screws it must be replaced. Do not use the pool/facility until a repair or replacement is made.
- If a drain cover/grate does not pass inspection:
 - Close the pool or spa immediately
 - Post a closure notice
 - Keep the facility closed until a new drain cover and screws are properly installed.

D. PART DIAGRAMS AND MEASUREMENTS

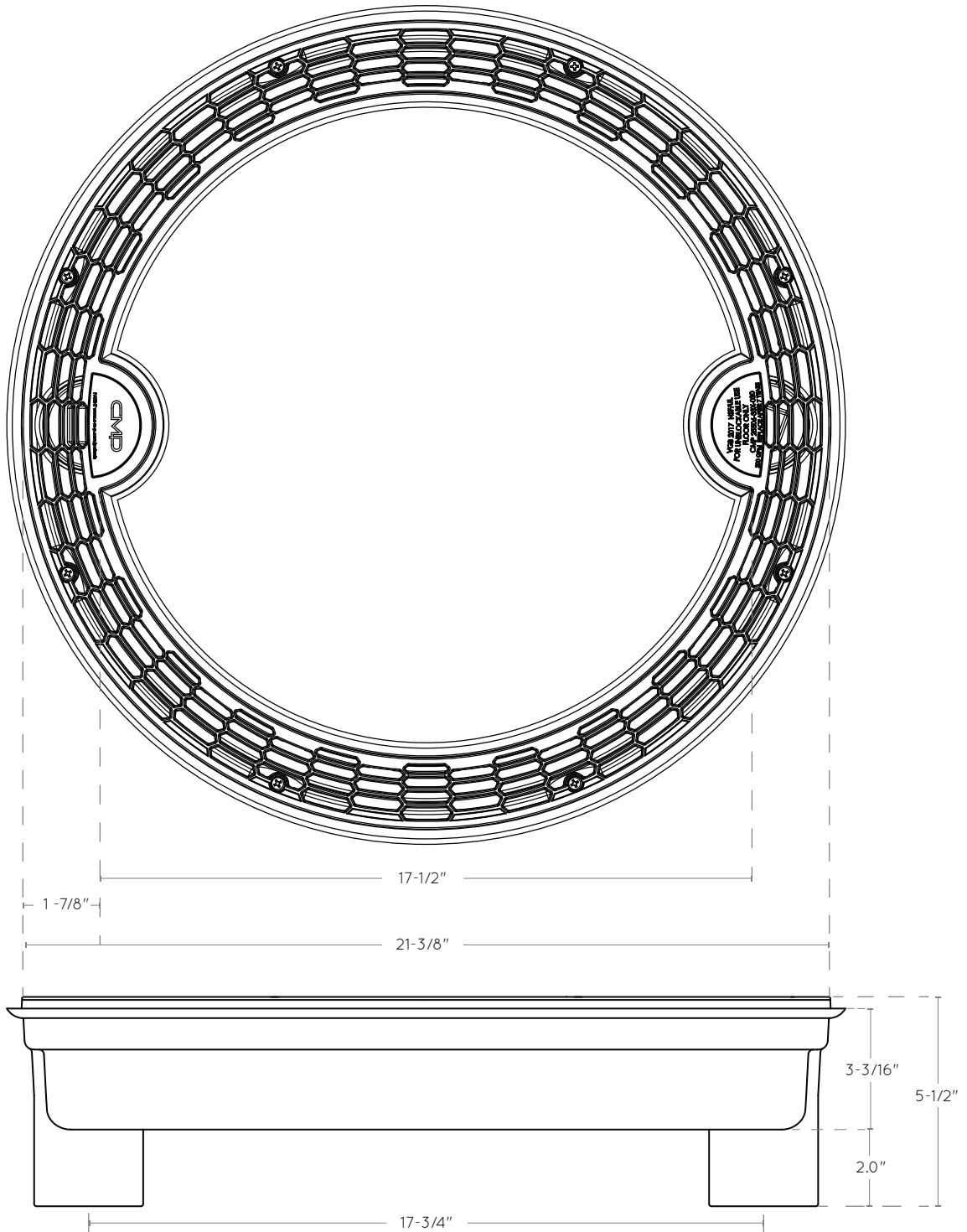
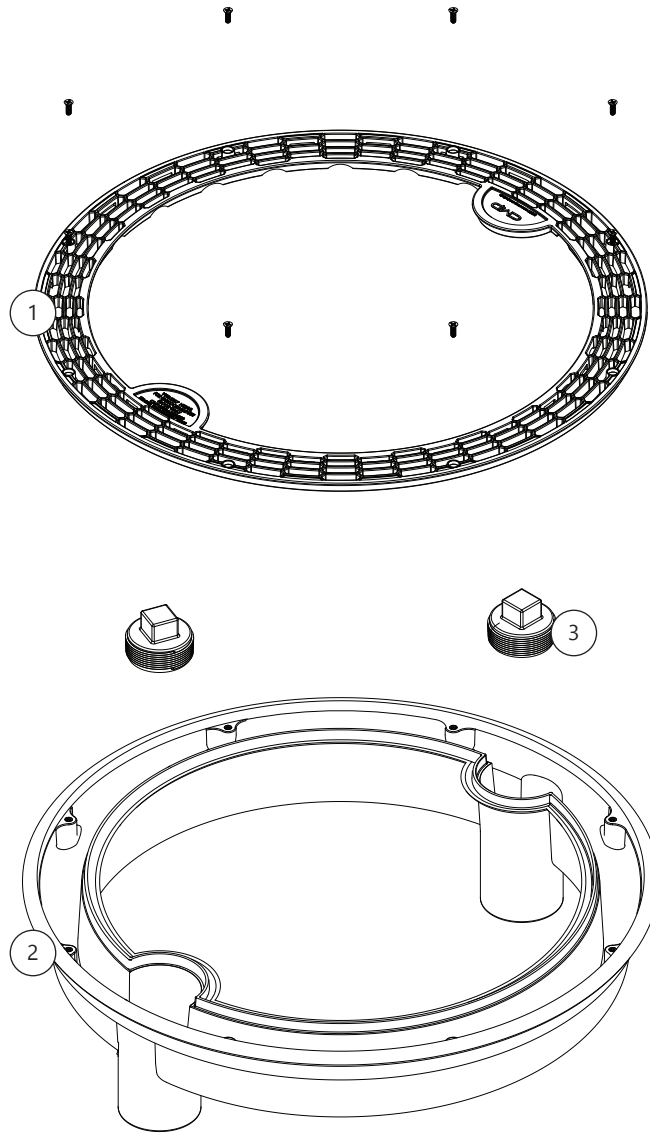


IMAGE 3 - DIMENSIONS

G. PARTS LIST



	CMP P/N	DESCRIPTION
1	25506-330-000	WHITE 20" RING DRAIN COVER
2	25506-330-800	WHITE 20" RING DRAIN BODY
3	25520-050-020	2" PLUGS
—	25506-334-020	OPTIONAL HYDROSTATIC VALVE
—	—	COVER SCREWS (8)

Parts numbers not listed in product table are only available as part of a complete assembly. See c-m-p.com or pool products catalog for other color options

SAVE THESE INSTRUCTIONS

Record Information on this System Below & Keep for Your Records

Installer _____

Purchased From _____

Installation Date _____

Model Number _____

Pool Size in Gallons _____

CMP Customer Service & Tech Support

Toll Free: 1-800-733-9060

FAX: 770-732-7115

support@c-m-p.com

Warranty Questions

RMA@c-m-p.com

Support Resource & Videos Online

c-m-p.com/resourcecenter

